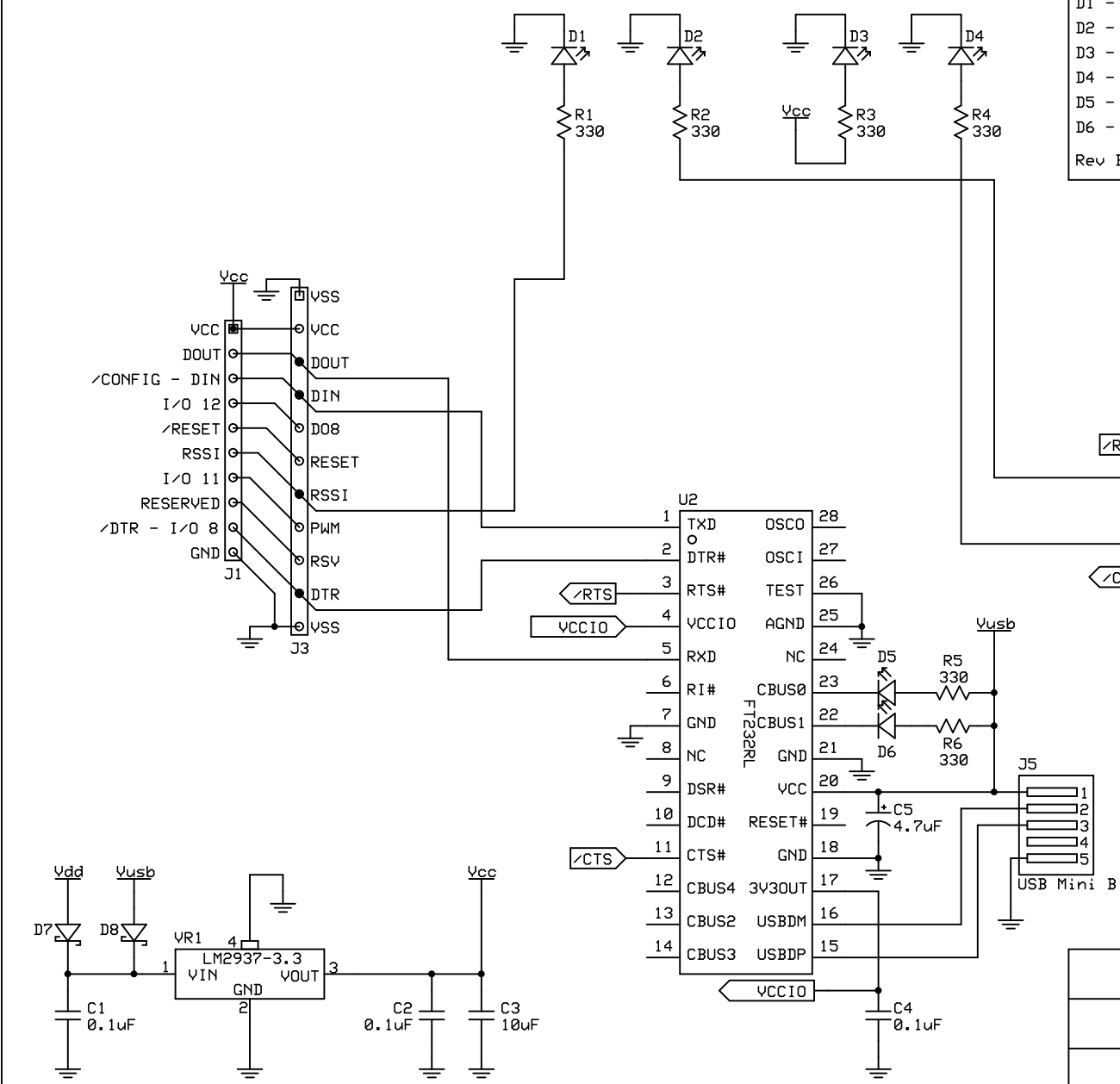


NOTES:

VCC = 3.3V (MODULE POWER FROM ON-BOARD REGULATOR)
 VDD = 5V
 Vusb = USB POWER (5V)

D1 - BLUE LED (RSSI)
 D2 - RED LED (ASSOCIATE)
 D3 - YELLOW LED (POWER)
 D4 - GREEN LED (ON / NOT IN SLEEP MODE)
 D5 - RED LED (USB TX)
 D6 - GREEN LED (USB RX)

Rev B adapter requests high current (500mA) from USB Port



Parallax Inc. 599 Menlo Drive Rocklin, CA 95765	
XBee USB Adapter	
32400	Rev B 12/08/2011
Page 1 of 1	